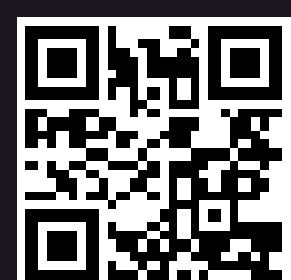


**JETOUR**  
— Drive Your Future —

The *Elite* Cars®

# JETOUR DASHING



600 543628  
[www.jetouruae.com](http://www.jetouruae.com)



# JETOUR DASHING





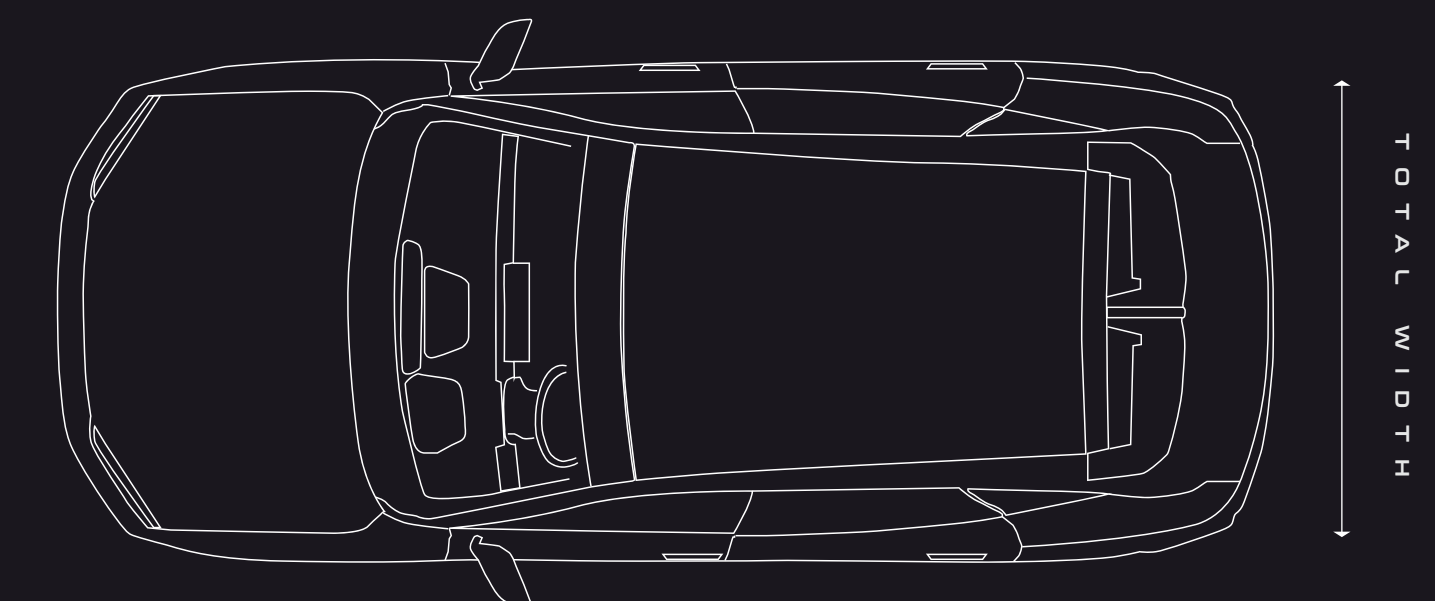
WHEEL BASE  
2720 mm

4590 mm

1900 mm

## **i** **ATHLETIC PROPORTIONS**

- ▶ The Jetour Dashing's 4590x1900 mm body gives it a compact style that enjoys sharper lines and sleeker designs.
- ▶ 2720 mm wheelbase keeps the Dashing wide and planted that ensures stable ride on twisty road.





## **i** **STRIKING EXTERIOR DESIGN**

- ▶ The Jetour Dashing has sharp looks translated in its aerodynamic body styling and contemporary appearance.
- ▶ Sharp shoulder lines with 20-inch alloys leads to a finely-sculpted profile.



## **i MODERN-DAY STYLING**

- ▶ Fine LED lights integrated on both end of the already imposing front grill highlights the elegant overall expression of the car.



## **i** **ASSERTIVE CHARACTER**

- ▶ Adding to its sporty nature are the split rear roof spoilers and rear diffusers which aids to its character.
- ▶ LED tail lights with checkered flag pattern adds sportiness to Dashing's character along with dynamic turn signals.



## ***DYNAMIC PERFORMANCE***

- ▶ With its 1.6 liter turbo charged 4 cylinder 197hp engine, the Dashing ensures power and stability no matter the condition.



## **i** **EFFORTLESS DRIVE**

- ▶ Intelligent Driver Assist Systems contributes to the Dashing's effortless performance. Adaptive Cruise Control eases long rides, while Advance Hill Ascent and gentle descent feature help control the pace at steep slopes.
- ▶ Dashing's intelligent air purification system with Anion generator, C95 air filter and Carbon Monoxide monitor create a healthier driving ecosystem by removing air pollutants and pollens.





## **i CONTEMPORARY CABIN**

- ▶ Seating and perfect driving position are translated through sport-designed seats that surrounds the driver and passengers with superior high quality materials.
- ▶ Step inside the Jetour Dashing's spacious 5-seater configuration and experience a one-of-a-kind cabin that offers world-class comfort and luxury.
- ▶ The 15.6 inch smart touchscreen integrates all the features in one clear and user-friendly interface.





## **i PANORAMIC SUNROOF**

- ▶ To make things spectacular a full panoramic roof gives the Dashing's interior a feel of lightness & spaciousness.
- ▶ Improving practicality is the Jetour Dashing flat-folding 60/40 split rear seats that adapts to your cargo needs.

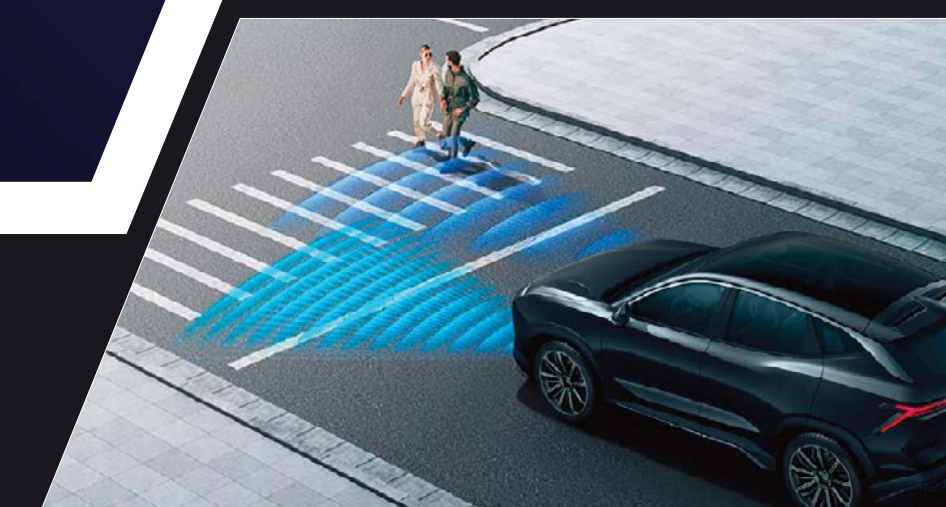


► The Dashing offers convenience and security thanks to Lateral Collision Warning, Lane Departure warning system, Emergency braking, High speed warning, Forward and Backward collision warning all adds to a safer driving experience. Key in tegrating keyless Go and remote start.

► The Jetour Dashing ensures safer commuting with a blend of advanced and innovative safety features.

## **i INTELLIGENT SAFETY**

- Parking assist with 180° transparent chassis and 360° panoramic visual parking assist ensures safer and secure vehicle parking.
- The Dashing offers convenience and security thanks to Smart Key integrating keyless Go and remote start.



Automatic Emergency Braking System



Lane Departure Warning System



360° Panoramic Assist System

**JETOUR  
DASHING**

**ELEGANCE IN VIEW**  
LUXURY IN EVERY JOURNEY



## DASHING SPECIFICATIONS - 1.6T

Model	Dashing 1.6T
Trim	Luxury
Basic Parameter	
Length*Width*Height (Mm)	4590 * 1900 * 1685
Wheelbase	2720
Minimum Ground Clearance (Mm)	160
Seats Number	5
Fuel Tank Capacity(L)	57
Engine	
Engine Type	1.6TGDI
Displacement(Ml)	1,598
Maximum Net Power (Kw)	140/190@5500
Maximum Net Power Speed (Rpm)	
Maximum Net Torque (N-M)	275@1750-4000
Maximum Net Torque Speed (Rpm)	
Max Speed(Km/H)	180
Fuel Label	#92 And Above
Emission Standard	Euro 6B
Transmission	7DCT
Drive Mode	FF
Suspension Type	Macpherson Independent Suspension / Multiple Link Independent Suspension)
Power Type	EPS
Brake Type	Front Ventilated Disc Type/Rear Solid Disc Type
Parking Brake Type	EPB + Auto Hold
Driving Mode Switching (Economy/Comfort/Sport)	•
Driving Mode Switching	-
Tyre Specification	255/45 R20
Intelligent Lighting	
LED Head Lamp	•
Height Adjustable Headlights	•
Automatic Headlights	•
Delay Turn Off Of Headlight	•
DRL(Daytime Running Light)	•
LED Tail Lamp	•
LED CHMSL	•
Baggage Compartment Lamp	•
LED Directional Light	•
Electric Adjustment Of The Rear View Mirror	•
Rearview Mirror Electric Heating	-
Automatic Folding Of The Rear View Mirror	•
Rearview Mirror Reverses Automatically	•
Rearview Mirror Memory	•
LED Welcoming Laser Light	•
Panoramic Sunroof	•
Hidden Sensing Door Handle	•
Boneless Wipers	•
Rain Sensitive Front Wiper	•
Rear Windshield Wiper	•
Sport Rim	•
Electric Control Trunk	•
Music Greets Guests Outside	•
Keyless Entry System	•

Keyless Start System	•
Remote Control Window, Car Search, Central Lock	•
Auto Lock And Lift Windows When Leaving The Vehicle	•
Remote Start Engine	•
Engine Cover	•
Forecastle Cover	•
Non-Full-Size	•
Interior	
Soft Touch Dashboard	•
Break Code Instrument	•
Touch Screen	•15.6 Inches
HUD	O
Front Armrest	•
Armrest Box With Refrigeration Function	•
Steering Wheel Material	Leather
4 Ways Steering Wheel Adjustment	•
Electronic Gear Lever	-
Column Shift	•
One Key Belt Anti-Clip Elevator Window	•
The Seat Material	Leather
All-In-One Sports Seats	•
Seat Adjustment	Electrical Six-Direction Control
Electric Waist Support For Driver	•
Seat Memory	•
Seats Are Welcome	•
Seat Heating	•
Seat Ventilation	•
All-In-One Sports Seats	•
Seat Adjustment	Electrical Four-Direction Control
Seat Memory	•
Seat Heating	•
Seat Ventilation	•
Front Passenger Seat Power Seat Memory	•
Passenger Leg Bracket	•
Rear-End Seat Reversals (6/4 Split)	•
Middle Seat Headrest	•
Middle Armrest	•
Adjustable Seat Back Angle	•
All Car Button Backlight	•
Manual Anti Glare Of Interior Rearview Mirror	•
Driver / Copilot Visor Make-Up Mirror	•
Driver / Visor Light	•
Front/Rear Reading Light (LED)	•
Spectacle Case	•
Passenger Damped Pull Hand	•
External Environment Sensing Digital Display Screen	•
40W Mobile Phone Wireless Fast Charging	•
Number Of Portable USB Ports	5
Front Row Dual USB Port (Type-C+ Quick Charge)	•
USB Interface Under Armrest Box (Data Transmission)	•
Rear USB Port	•
Hi-Fi / Speakers	8
In-Car Steering Breathing Light	•
Inside The Car Atmosphere Light	•Colourful
Illuminated Door-Sill Details	-
Front Illuminated Door-Sill Details With Lights	•

Rear Door Welcome Pedal	•
Defrosting And Defogging Rear Window	•
Power Interface	•
Luggage Curtain	•
Multimedia and Connectivity	
Bluetooth/Car Phone	•
Intelligent Voice Control (English, Arabic, Spanish, Russia)	•
Key Forgotten Reminder	•
Mobile Phone Forgotten Reminder	•
Advanced Operational Equipment	
360° Panoramic Visual Parking Assist	•
180° Transparent Chassis	•
Rear Astern Image With Parking Assist Line	•
ABS (Anti-Lock Brake System)	•
EBD (Electric Brakeforce Distribution)	•
EBA Brake Assist System	•
TCS (Traction Control System)	•
ESC (Electric Stability Control)	•
HHC Uphill Start Assist System	•
HDC Steep Slope Gentle Descent System	•
RMI Anti-Rollover Control System	•
DBF Dynamic Parking System	•
Main/Copilot Driver Seat Airbag	•
Main/Copilot Side Airbags	•
Front/Back Head Airbags	•
TPMS (Tyre Pressure Monitoring System)	•
Front Seat Belt Type	Preload Limiting Force Type
The Front Seat Belt Is Not Fastened	•
ISOFIX	•
Forward Parking Radar	2
Rear Parking Radar	4
EMMO	•
Rear Child Safety Door Lock	•
Automatic Lock By Speed Induction	•
Collision Sensor Automatically Unlocks	•
Cruise Control	-
Adaptive Cruise	•
ICA	•
Traffic Jam Assist	•
Intelligent High Light Assisted	•
Forward Collision Warning	•
AEBS(Advanced Emergency Braking System)	•
LDWS (Lane Departure Warning System) Lane Keeping Assist	•
Lateral collision warning	•
- BSD	•
- DOW	•
- LCW	•
Backward Collision Warning	•
- RCTA	•
SLA Traffic Speed Limit Sign Recognition	-
Air-condition	
Electric AC	-
Dual Temperature Zone Automatic AC	•
Second Row Independent Air Outlet	•
CN95 Air Filter Element	•
Intelligent Air Purification	•
Air Purification Function (PM2.5 Display)	•

Anion Generator	•
Carbon Monoxide Monitoring	•
Other	
CarPlay & Android Auto	•
Mirror Link	•
Fire Extinguisher And First Aid Kit (6 Pieces, Including Medicine)	•
Fire Extinguisher And First Aid Kit (6 Pieces, Including Medicine)	•
E-Call	•
DAB	•
GSO Rearview Mirror	•
GSO Soft Standard/Fuel Consumption Label	•
120±5Km/H - Speed Alarm	•Non-Adjustable

<b>WARRANTY</b>	<b>10 YEARS / 1 MILLION KILOMETER</b>
<b>SERVICE CONTRACT</b>	<b>3 YEARS / 40,000 KILOMETER</b>
<b>MODEL YEAR</b>	<b>2025</b>

\*T&C apply

## EXTERIOR COLORS



## INTERIOR COLORS



## SHOWROOMS

### Abu Dhabi

Jetour Abu Dhabi Showroom  
Airport Road, Al Maqta'a Bridge  
P.O. Box 107827 Abu Dhabi, U.A.E.

### Dubai

Jetour Dubai Showroom  
4th Street, Al Quoz 3  
P.O. Box 393316 Dubai, U.A.E.



600 543628  
www.jetouruae.com  
@jetouruae